



**MICRON AMERICA**

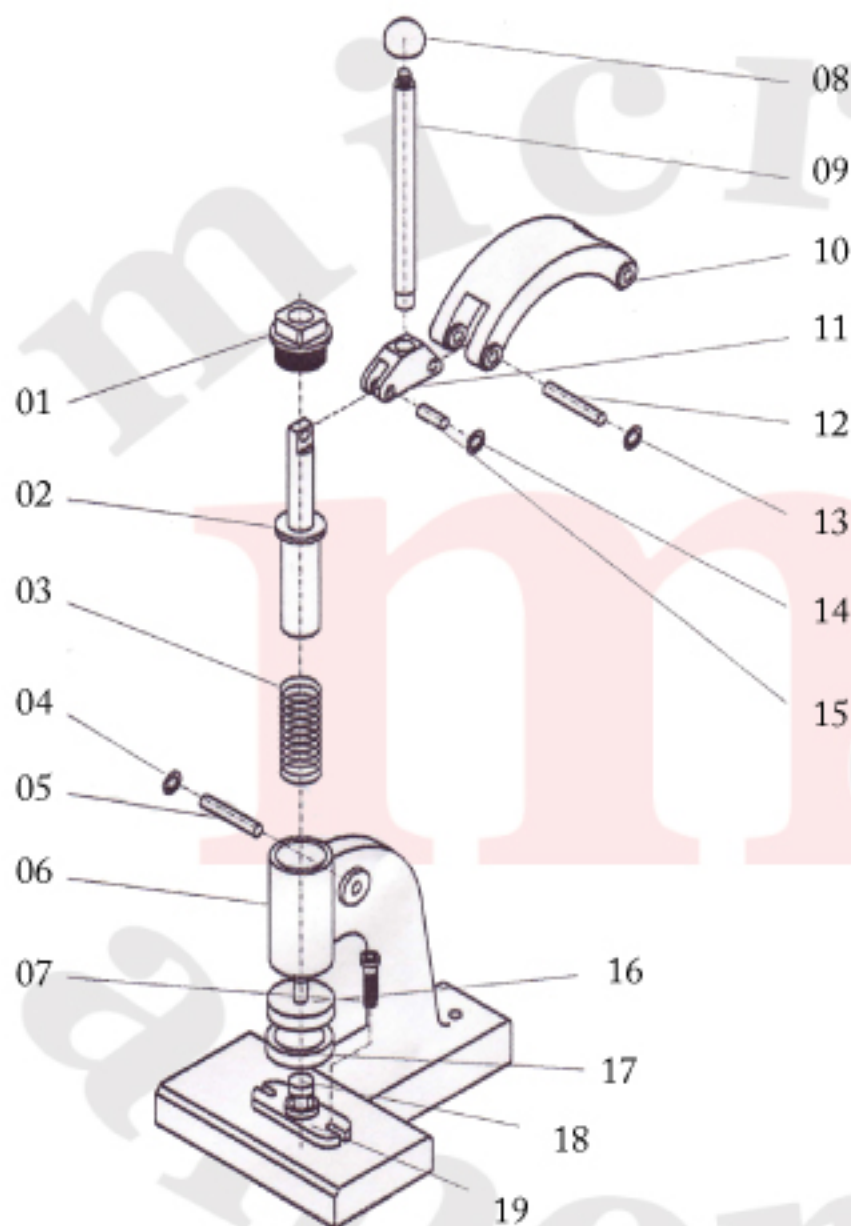
**M - 3 Attaching Machine User Manual**





# MICRON AMERICA

## M - 3 Attaching Machine User Manual



### PART LIST

- 01 - Top
- 02 - Shaft
- 03 - Spring
- 04 - Spring Washer
- 05 - Pin
- 06 - Body
- 07 - Screw
- 08 - Head of arm
- 09 - Arm (Handle)
- 10 - Bridge
- 11 - Joint
- 12 - Pin
- 13 - Spring Washer
- 14 - Spring Washer
- 15 - Pin
- 16 - #12 Upper Die (Optional)
- 17 - #12 Lower Die (Optional)
- 18 - Lower Die Holder
- 19 - Adjustment Flange

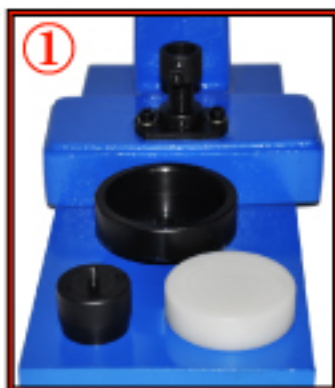
M - 3 with #12 Curtain Grommet Dies Universal Press Assembling Details



# MICRON AMERICA

## M - 3 Attaching Machine User Manual

### Step by Step Instruction



1- Prepare the cutting dies.



2- Place the lower die holder on the adjustment flange.



3- Place the cutting board (teflon) in the lower die holder.



4- To fixate the cutting board, tighten the front screw with the allen key.



5- Screw the upper cutting die into the shaft of the machine.



6- The cutting dies are now installed.



7- Place the material on the cutting board.



8- Press the handle firmly.



# MICRON AMERICA

## M - 3 Attaching Machine User Manual

### Step by Step Instruction



- 1- Prepare the setting dies.
- 2- Place the lower setting die in the lower die holder.
- 3- To fixate the lower setting die tighten the front screw with the allen key.



- 4- Put the upper setting die into the shaft of the machine.
- 5- Screw it anti-clockwise.



- 6- To center the setting dies, loosen the screws on the sides of the adjustment flange. Scroll the adjustment flange. Press the handle until the upper and lower dies join each other. Keep the handle pressed and tighten the screws on the sides.
- 7- The setting dies are now installed and ready to use.



# MICRON AMERICA

## M - 3 Attaching Machine User Manual

### Step by Step Instruction



- 1- Verify the setting dies are properly installed. Put the eyelet on the lower die.
- 2- Place the material so as to fit the punched hole with the lower die.



- 3- Put the washer on the lower die so as to let the eyelet and washer join each other. As you see at the picture 3'



- 4- Press the handle firmly
- 5- The eyelet is now set on the material.